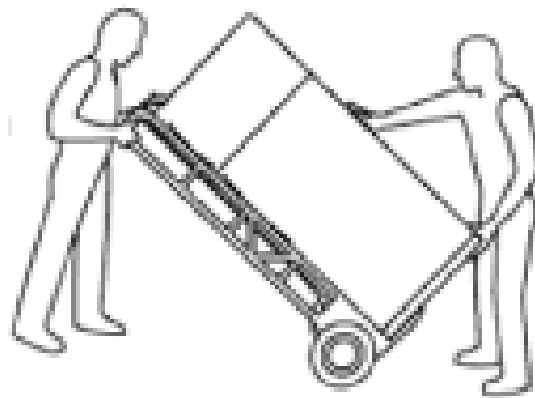


Carts and dollies to move heavy objects



Content from the MSD Prevention Guideline for Ontario, Book 3A (2007).